

A 25089-S



∅ 254x89mm
(∅ 10"x3.50")

256mm

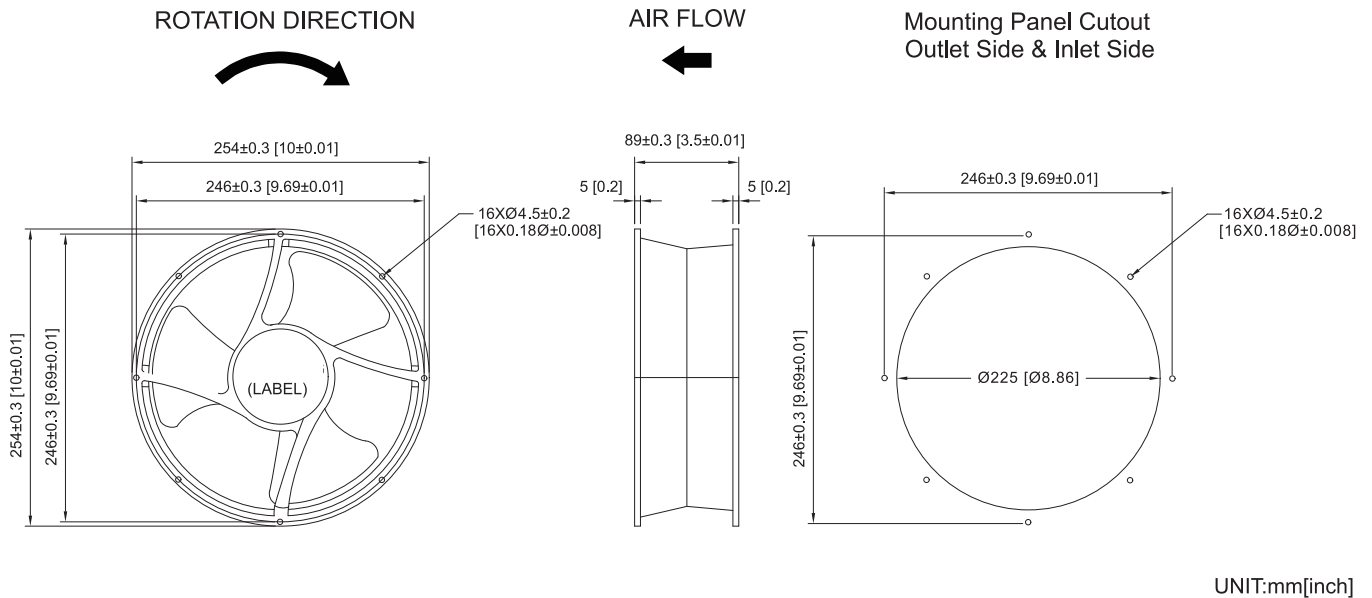
AC Fans & Blowers



HOUSING	Aluminum Die Casting, Painted Black
IMPELLER	Thermoplastic PBT, UL94V-0
BEARING	Ball
MOTOR TYPE	AC Induction Capacitor Motor
TERMINATION	Terminals or Lead Wire
OPERATING VOLTAGE RANGE	85VAC to 125VAC for 115V Type 185VAC to 245VAC for 230V Type
DIELECTRIC STRENGTH	1,500VAC for 1 minute
INSULATION	Class A
INSULATION RESISTANCE	10M Ohms min. @500 VDC
OPERATING TEMPERATURE	-10°C to +70°C
SAFETY	Thermally Protected
WEIGHT	2200g
ROHS COMPLIANCE	Yes
ADDITIONAL FUNCTION	FG, RD

250mm

DIMENSION



SPECIFICATION

MODEL NO.	RATED VOLTAGE (V)	FREQUENCY (Hz)	RATED CURRENT (A)	INPUT POWER (W)	SPEED (RPM)	MAX. AIR PRESSURE		MAX. AIR FLOW		NOISE dB (A) @1M
						inchH ₂ O	mmH ₂ O	CFM	m ³ /min	
A25089V1HB-S	115	50/60	0.579/0.673	69.0/79.5	2100/1800	0.32/0.28	8.25/7.15	700/630	20.2/17.8	56
A25089V1MB-S	115	50/60	0.219/0.232	24.3/28.1	1400/1600	0.22/0.28	5.80/7.10	450/520	12.7/14.9	51
A25089V2HB-S	230	50/60	0.259/0.296	63.2/72.2	2100/1800	0.32/0.28	8.25/7.15	700/630	20.2/17.8	58
A25089V2MB-S	230	50/60	0.136/0.122	28.4/29.3	1400/1600	0.22/0.28	5.80/7.10	450/520	12.7/14.9	51

AIR PERFORMANCE

