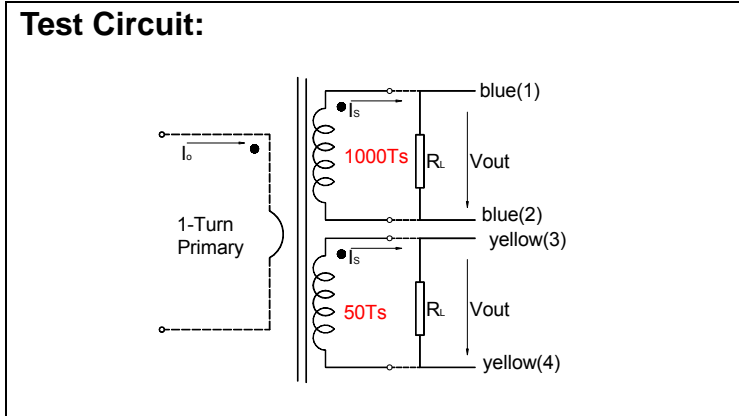


Description	Zero - Phase Current Transformer	Drawn Date	12/10/11
Part No.	ZT015100PL	Sample No.	3702

Mechanical Dimensions in mm

Mechanical Specifications:
 International Tolerance(mm)

0~3	±0.1
3~6	±0.12
6~10	±0.15
10~18	±0.18
18~30	±0.21



Description	Zero - Phase Current Transformer	Drawn Date	12/10/11
Part No.	ZT015100PL	Sample No.	3702

Electrical Specifications

Rated Primary Current 50Hz/60Hz(Amp.)	30(50)
Turns ratio	Np:Ns=1:1000
D.C.Resistance at 20 (Ω)	blue-blue(62Ω)
	yellow-yellow(2.5Ω)
Rated Output Voltage (mV)(blue-blue)	7.5min@Io=11.25mA, RL=1kΩ
Operating Temperature	-20~65
Storage Temperature	-25~85
Dielectric Withstanding Voltage (Hi-pot)	2.5KVrms/1mA/1min
Insulation Resistance	DC500V/100MΩ min

Mechanical Specifications

CUP	5010GN6-30 M8X(PBT)
Encapsulant	epoxy
Output terminal	UL1007 26AWG pvc wire(blue/yellow)
Approx.Weight	7.3g

Standard(s) & Edition Number for this evaluation:

IEEE C57.13 - STANDARD REQUIREMENTS FOR INSTRUMENT TRANSFORMERS - Edition 1 -

Issue Date 2008/03/27,

CSA C60044-1 - INSTRUMENT TRANSFORMERS – PART 1: CURRENT TRANSFORMERS - Edition 1

- Issue Date 2007/03/01

CSA C60044-2 - INSTRUMENT TRANSFORMERS – PART 2: INDUCTIVE VOLTAGE

TRANSFORMERS - Edition 1 - Issue Date 2007/03/01

ANSI/IEEE C57.13, "Standard Requirements for Instrument Transformers"

CAN3-C13-M83 "Instrument Transformers Certified for Canada - Component



E318452 RoHS COMPLIANT